

KOLPIN®

Dirt Works®

Cultivator Set

Product Instructions | Part No: CT036


Kit contents:

Item	Qty	Part Description
1	6	'S' Tine
2	6	Cultivator Clamp
3	6	Cultivator 1" Sweep
4	6	Hex Locknut, Zinc Plated, 3/8-16
5	6	Plow Bolt, Plain, 3/8-16 x 1-1/2" LG
6	6	Flat Washer, Zinc Plated, 3/8
7	6	Hex Locknut, Zinc Plated, 1/2"-13
8	6	Flat Washer, Zinc Plated, 1/2"
9	6	Hex Bolt, Zinc Plated, 1/2"-13 x 3-1/2" LG
10	1	Instruction Sheet (not shown)


Cultivator Installation Instructions:

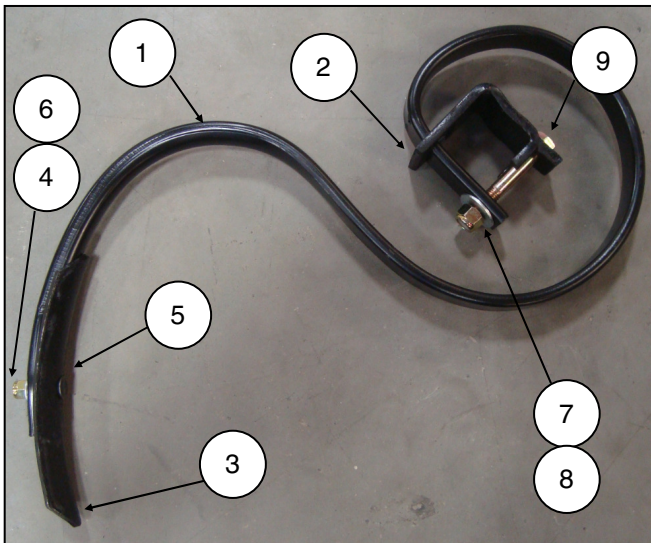
Note: If any hardware is missing, do not return to the store. Call us to help, Toll Free 1-877-956-5746.

1. Install sweep (item #3) onto "S" tine (item #1) using 3/8" plow bolts (item #5) and fastening with washer (item #6) and 3/8" locknut (item #4). Tighten to specification.

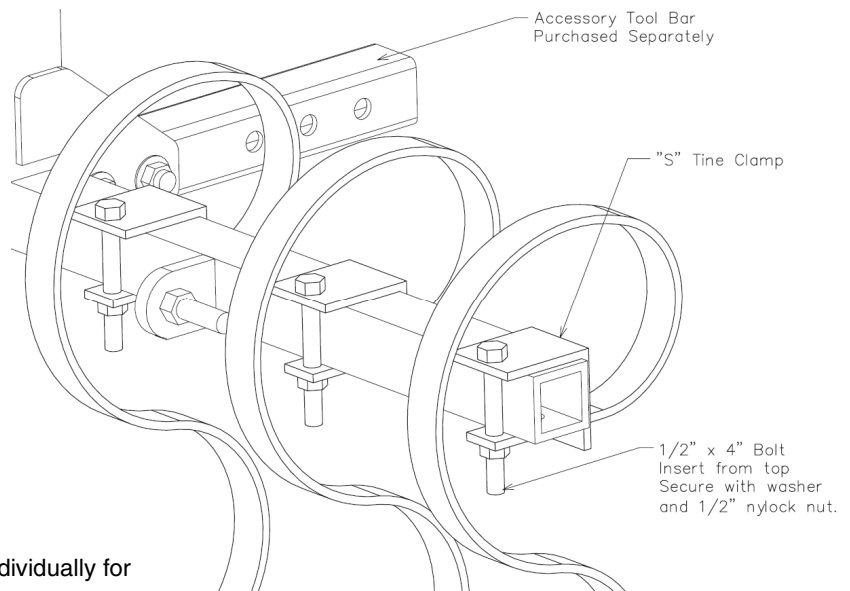
 = T
3/8" FASTENER TORQUE: 23 ft. lbs. (31 Nm)

2. Place "S" tine assembly onto accessory toolbar (not included with kit) and secure using cultivator clamp (item #2). Fasten to toolbar with 1/2" bolt (item #9), washer (item #8) and 1/2" locknut (item #7). Tighten to specification.

 = T
1/2" FASTENER TORQUE: 57 ft. lbs. (77 Nm)



WARNING: Do not over tighten hardware or damage can occur.



For additional assistance, please contact Kolpin customer service department at (877) 956-5746 or (763) 478-5800 or email customerservice@kolpin.com

Use and Care Information:

- "S" tines can be spaced as needed. Can also be used individually for trenching, or spaced to cultivate row crops.
- Check the accessory mounts frequently and retighten hardware if necessary.
- Replace this accessory with a new one if it is damaged.

Kolpin Outdoors, Inc. | 9955 59th Ave N | Plymouth, MN 55442
 (877) 956-5746 or (763) 478-5800 | www.kolpin.com | customerservice@kolpin.com



One Year Limited Warranty

For the period of one (1) year from the purchase date, Kolpin will replace for the original purchaser, free of charge, any part or parts found upon examination by Kolpin to be defective in material, workmanship, or both.

All transportation costs incurred submitting product to Kolpin for warranty consideration must be borne by the purchaser. If Kolpin determines that the product must be returned to the factory for credit, please call 1-877-956-5746 for a Return Merchandise Authorization (RMA) number and shipping instructions.

This warranty does not apply to parts that have been damaged by accident, alteration, abuse, improper maintenance, normal wear, or other causes beyond the manufacturer's control. In order to protect you and your ATV, certain parts of the accessory system and/or hardware are designed to fail when the equipment is over-stressed. Parts that are lost due to loosening and improper maintenance are not covered under warranty. This warranty does not cover removal or reinstallation labor fees of the plow system and related components.

Peripheral products such as engines, electric motors, and actuators may carry an original manufacturer's warranty. Most hardware is general in nature and is easily obtained locally. Be sure to replace with minimum metric class 8.8 specification.

Kolpin Outdoors, Inc.

Telephone: (763)-478-5800

Toll Free: (877)-956-5746

Fax Number: (800)-245-7569

www.kolpin.com

Email: customerservice@kolpin.com