

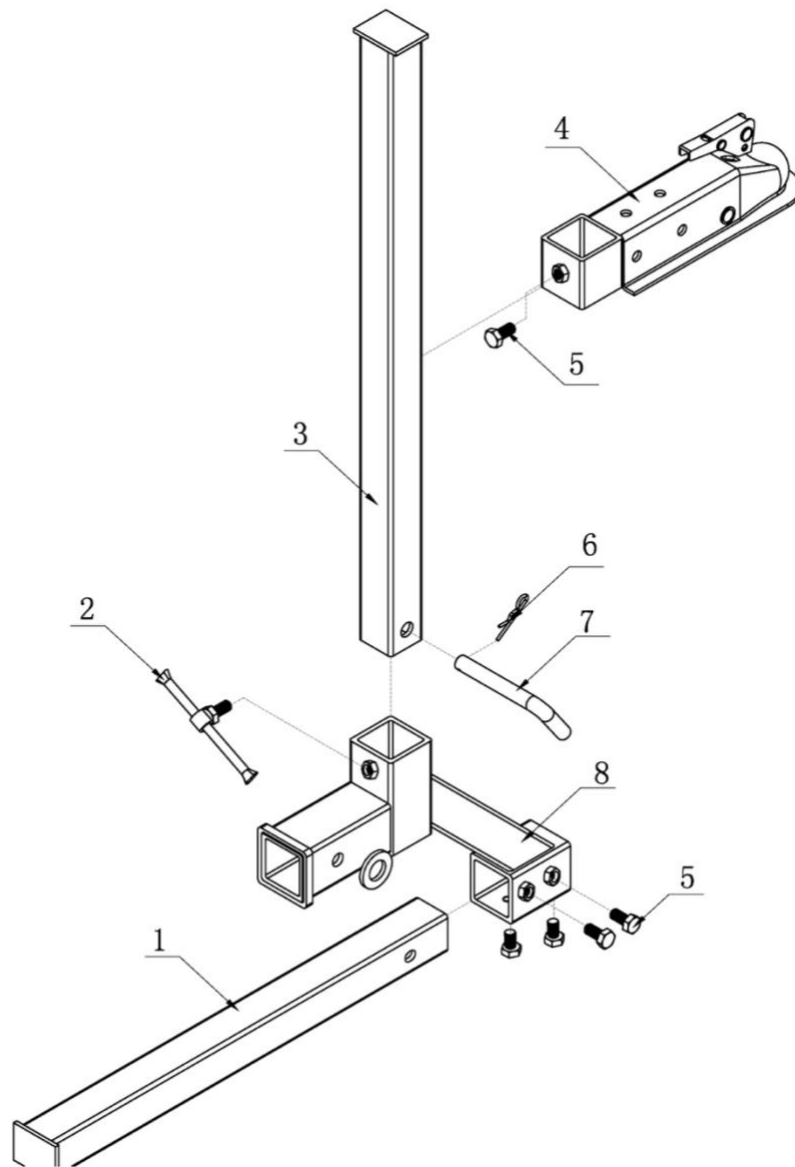
Lock-it Rite ATV System

Product Instructions | Part No: LGD-30-U

KOLPIN[®]
OUTDOORS

Before you begin, read these instructions and check to be sure all parts and tools are accounted for. Please retain these instructions for future reference and part ordering information. Note: If any hardware is missing, do not return to the store. Call us to help, toll free at 877-956-5746.



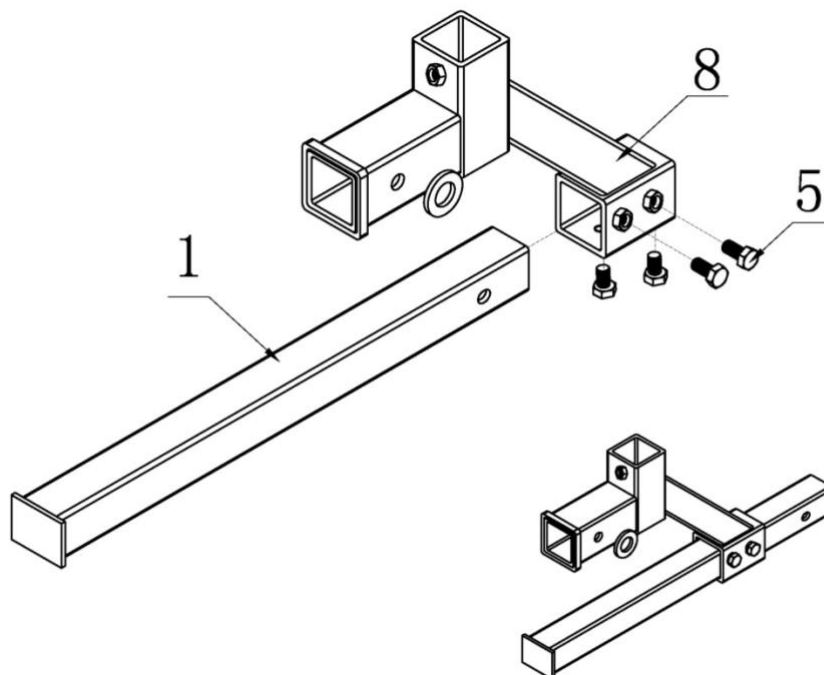


Part	Description	Qty
1	2" Hitch Tube (24") SHORT	1
2	Slip Handle ½" SAE Thread-(KFI/RB)	1
3	2" Vertical Tube (32") LONG	1
4	2" Ball Coupler	1
5	½" SAE thread x 1" Hex Bolt	5
6	R-Pin ø3	2
7	5/8" x 3.00" Bent Hitch Pin	2
8	Housing Weldment	1

Assembly Steps:

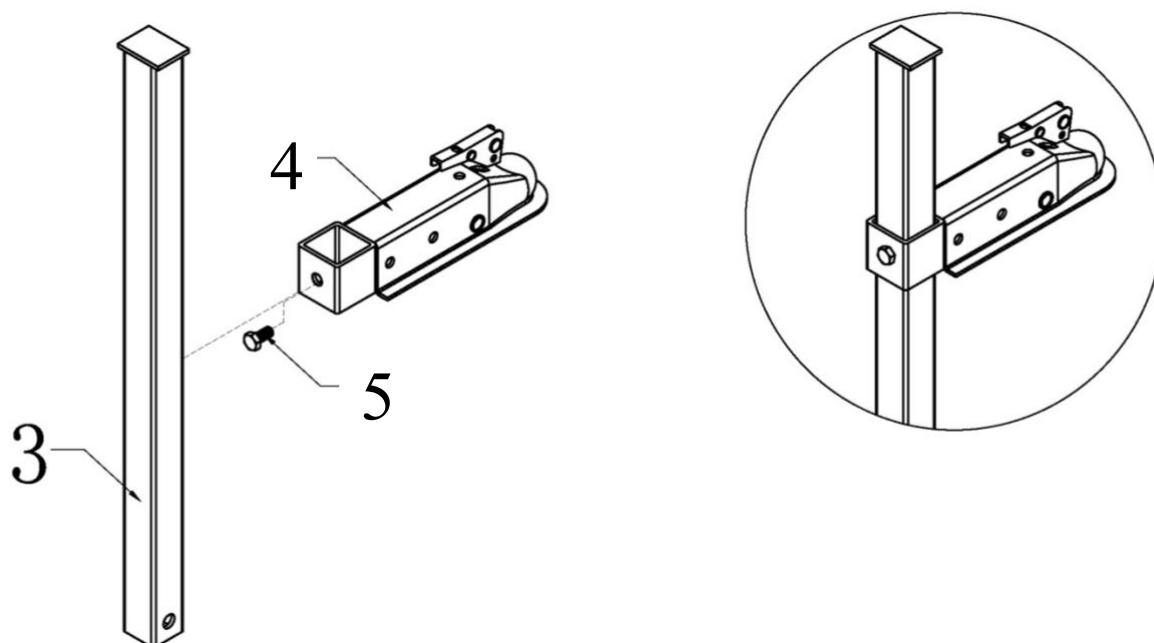
Step 1:

1. Locate (#1) 2" Hitch Tube (short), (#8) Housing Weldment, (#5) 1/2" 2 Hex Bolts.
2. Assemble (#1) 2" Hitch Tube (short), to (#8) Housing Weldment using (#5) 1/2" Hex Bolts.
(See figure)



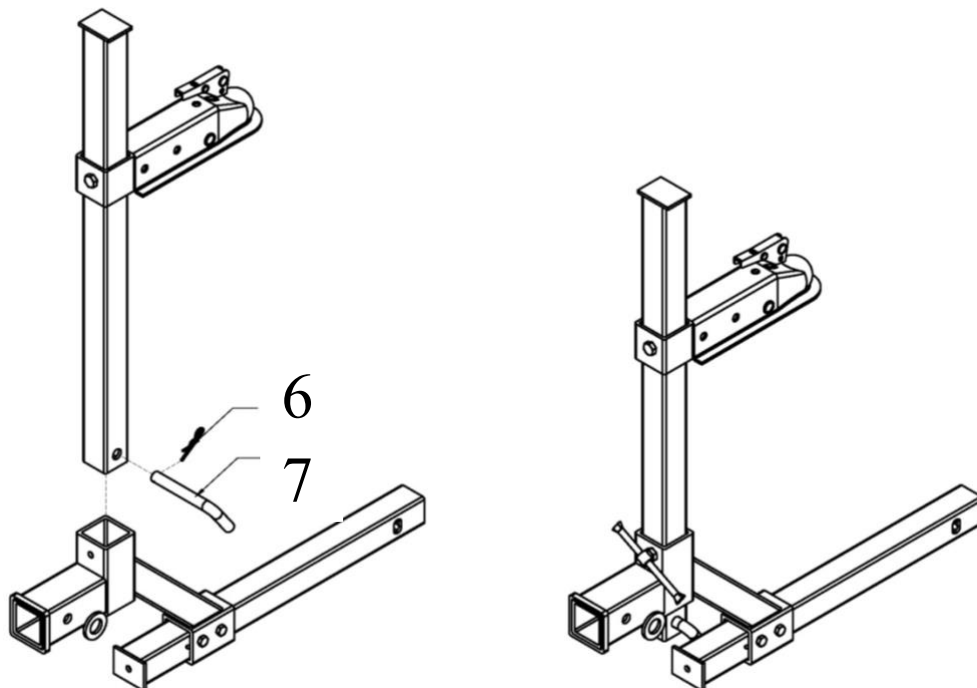
Step 2:

1. Locate (#3) 2" Vertical Tube (long), (#4) 2" Ball Coupler, (#5) 1/2" Hex Bolts.
2. Fix (#4) 2" Ball Coupler and (#3) 2" Vertical Tube using (#5) 1/2" Hex Bolts.
(See figure)



Step 3:

1. Locate (#7) Bent Hitch Pin and (#6) R-Pin
2. Fix Assembled (#3) 2" Vertical Tube (long), and (#4) 2" Ball Coupler to (#8) Housing Weldment Assembly using (#7) Bent Hitch Pin and (#6) R-Pin. (see figure)



NOTE: In some cases, the coupler comes with a bolt installed for shipping purposes only. This must be removed before the unit will operate properly! Be sure to adjust the coupler nut to the hitch ball size before operation!!!!

MAINTENANCE

- Make sure all mounting bolts are tight after each use!!!
- Spray with light oil after using in rain or salt to prevent rust.

For additional assistance, please contact Kolpin Customer service department at 877-956-5746 or 763-478-5800 or email customerservice@kolpin.com

One Year Limited Warranty

For the period of one (1) year from the purchase date, Kolpin will replace for the original purchaser, free of charge, any part or parts found upon examination by Kolpin to be defective in material, workmanship, or both.

All transportation costs incurred submitting product to Kolpin for warranty consideration must be done by the purchaser. If Kolpin determines that the product must be returned to the factory for credit, please call 877-956-956-5746 for a Return Merchandise Authorization (RMA) number and shipping instructions.